

URW340 series

3,030 kg
LIFTING CAPACITY

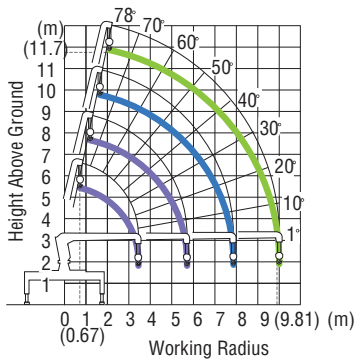
APPROX. **11.7 m**
MAX. HOOK HEIGHT
ABOVE GROUND

**RADIO
REMOTE
CONTROL**



SPECIFICATIONS

CRANE MODEL		URW342	URW343	URW344
Max lifting capacity		3030kg at 2.7m	3030kg at 2.7m	3030kg at 2.6m
Max working radius		5.32m	7.51m	9.81m
Max hook height (approx.)	Above ground	7.3m	9.5m	11.7m
	Below ground	6.1m with 4-part line	8.7m with 4-part line	11.5m with 4-part line
Boom length		Min 3.27m, Max 5.51m	Min 3.31m, Max 7.7m	Min 3.41m, Max 10.0m
Boom sections		2-section box beam type telescoping boom	3-section box beam type telescoping boom	4-section box beam type telescoping boom
Boom raise angle		1° to 78°		
Slewing angle		360° continuous		
Winch	Single line pull	7.35kN {750kgf}		
	Wire rope	Construction: IWRC 6 x WS(26) GRADE B / Diameter x Length: 8mm x 40m / Breaking strength: 42.4kN {4320kgf}	Construction: IWRC 6 x WS(26) GRADE B / Diameter x Length: 8mm x 51m / Breaking strength: 42.4kN {4320kgf}	Construction: IWRC 6 x WS(26) GRADE B / Diameter x Length: 8mm x 62.5m / Breaking strength: 42.4kN {4320kgf}
Outriggers		Vertical jacks, double acting hydraulic cylinders with pilot-operated check valves / Horizontal beams, manual extension type		
		Retracted: 2.0m, Extended 3.5m, Mid-extended: 2.7m		
Hydraulic pump	Rated pressure	20.6MPa {210kgf/cm ² }		
Hydraulic oil tank capacity		32L		
Safety devices		Pressure relief valve for hydraulic circuit / Counterbalance valves for boom raising and boom telescoping cylinders / Pilot-operated check valves for vertical outrigger cylinders / Boom angle indicator with load indicator / Hook safety latch / Automatic mechanical brake for winch / Digital load meter / Automatic stop for overwinding / Overwinding alarm / Alarm buzzer / Level / Emergency stop button / Overloading alarm		

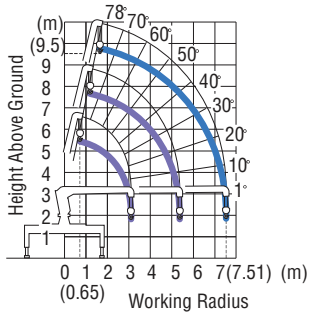


4 Sections Boom

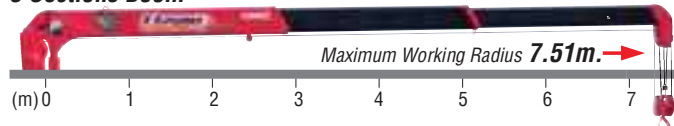


RATED LOAD

Working Radius	0.67 ~ 2.6	2.7	3.0	3.5	4.0	4.5	5.0	5.5	6.0	7.0	8.0	9.0	9.81
	3.03	2.63	2.33	1.98	1.68	1.48	1.28	1.18 (5.46m)					
		2.33	2.13	1.73	1.43	1.23	1.08	0.98	0.88	0.73	0.68 (7.63m)		
					1.03	0.93	0.83	0.78	0.73	0.63	0.56	0.50	0.48

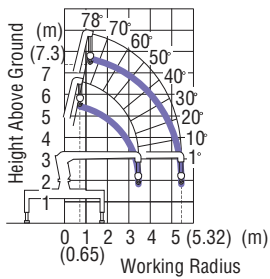


3 Sections Boom

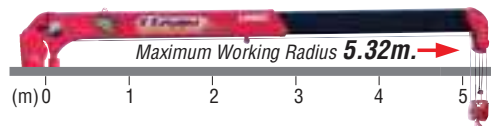


RATED LOAD

Working Radius	0.65 ~ 2.6	2.7	3.0	3.5	4.0	4.5	5.0	5.5	6.0	7.0	7.51
	3.03	3.03	2.48	2.03	1.73	1.53	1.33	1.28 (5.36m)			
		2.33	2.13	1.78	1.48	1.28	1.13	1.03	0.93	0.73	0.68



2 Sections Boom

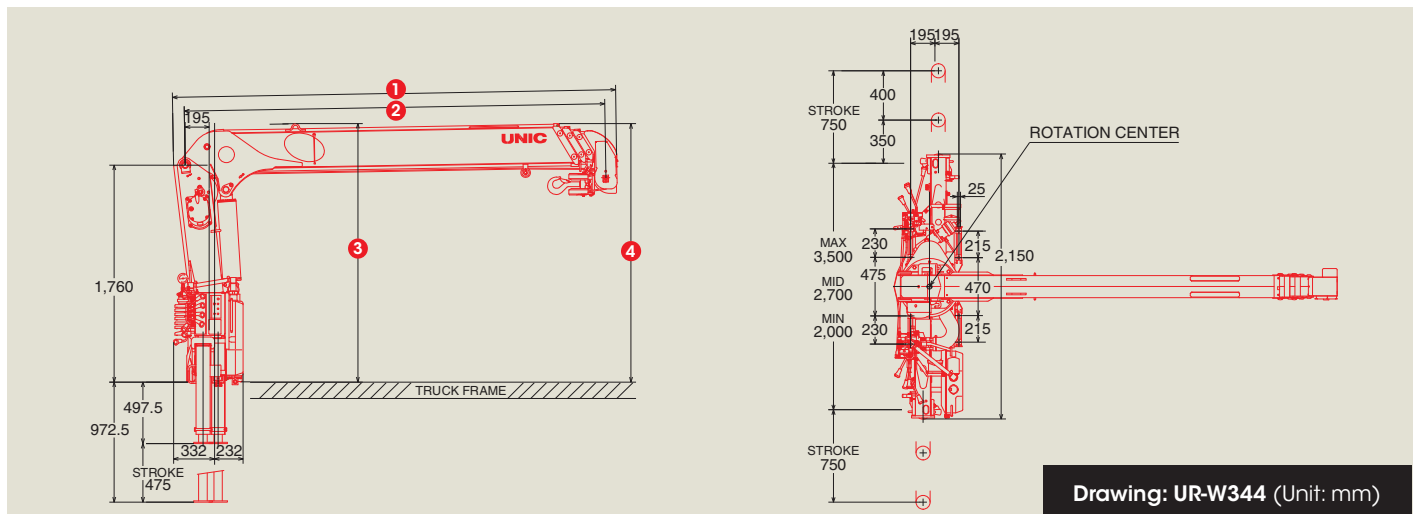


RATED LOAD

Working Radius	0.65 ~ 2.5	2.7	3.0	3.5	4.0	4.5	5.0	5.32
	3.03	3.03	2.53	2.08	1.78	1.58	1.38	1.33

CRANE MOUNTING DIMENSIONS

CRANE MODEL	1	2	3	4
UR-W344	3,594	Min. 3,410 ~ Mid. 5,650 ~ 7,825 ~ Max. 10,000	2,095	2,095
UR-W343	3,494	Min. 3,310 ~ Mid. 5,550 ~ Max. 7,700	2,092	2,095
UR-W342	3,454	Min. 3,630 ~ Max. 5,510	2,092	2,095



Drawing: UR-W344 (Unit: mm)