

SPECIFICATIONS

SPEC. No. CC - 1163
DATE JUN. 2018

SPECIFICATIONS HYDRAULIC CRANE

MODEL: UNIC URW295C4AMR

Specifications are subject to change without notice.

FURUKAWA UNIC CORPORATION

UNIC CRANE PERFORMANCE
MODEL: URW295C4AMR

CRANE CAPACITY:

LIFTING CAPACITY	: Max 2.93t at 1.4m
HOOK HEIGHT	
ABOVE GROUND LEVEL	: Max. 8.8m
BELOW GROUND LEVEL	: Max. 11.7m with 4-part line
WORKING RADIUS	: Min 0.45m, Max 8.41m

BOOM:

5-section box beam type telescoping boom

Boom Length	
Retracted boom:	2.70m
Extended boom:	8.65m
Boom Extending Speed:	5.95m / 21 sec.
Boom Raising Speed:	0° to 78° / 12 sec.

WINCH:

Hydraulic motor driven, spur gear reduction, with automatic mechanical brake

Hoisting Speed	
Single line speed:	40.0m/min. at 4th layer
Hook speed:	10.0m/min. at 4th layer with 4-part line
Hook Block;	2.9t capacity, 2 sheaves with safety latch

Wire Rope	
Construction (JIS):	IWRC 6 × WS (26) GRADE B
Diameter × Length:	φ8mm × 54.0m
Breaking strength:	43.1kN (4395kgf)

SLEWING:

Trochoid motor, worm gear reduction, spur gear reduction, and worm self-locking brake (supported by ball bearings)

Slewing Range:	360° continuous rotation on a ball bearing race
Slewing Speed:	1.5 rpm

OUTRIGGERS:

2-section (with damper) for bend and 3-section extension
Double acting hydraulic cylinders with pilot-operated check valves, direct pushing type
(Directly connected with hydraulic automatic lock device)

HYDRAULIC SYSTEM:

Hydraulic Pump	
Type:	Variable delivery piston pump
Rated pressure:	21.6MPa (220kgf/cm ²)
Rated delivery:	30 ℓ/min.
Rated revolution:	2600rpm
Hydraulic oil tank:	27 ℓ capacity
Hydraulic Valves	
Control valve:	Multiple control valve, spring centered, spool-type, with pressure relief valve
Pressure relief valve setting:	For crawling: 21.6MPa (220kgf/cm ²) For crane: 20.6MPa (210kgf/cm ²)
Counterbalance valve:	Boom raising and boom telescoping cylinders
Double pilot-operated check valve:	Outrigger cylinders
Hydraulic Actuators	
Hydraulic motors:	Hoisting: Axial plunger type Slewing: Trochoid type
Hydraulic cylinders:	Double acting type 1 × Boom raising cylinder 3 × Boom telescoping cylinder 4 × Outrigger cylinder

CRAWLING GEAR:

Crawling:	Endless rubber crawler
Crawler:	180 × 40 × 72FR
Tread length:	1050mm
Ground contact pressure:	53.0kPa (0.54kgf/cm ²)
Crawling speed:	0~2.0km/h, forward / backward
Hill climbing ability:	20°
Engine:	Rated output: 7.2kW/2,600rpm Model: Z482-E4B-CNFK-1 (Kubota Corporation)
	Displacement: 479cm ³
	Fuel Type: Diesel Oil
Steering:	Hydraulic drive independent of left/right
Starter:	Starter motor
Fuel tank:	10 ℓ capacity

Note: The figures in relation to the speed are on the basis of no-load running at rated oil flow condition.

MAJOR SPECIFICATION OF ELECTRIC POWER UNIT: (AC 200V)

Power unit

Hydraulic pump

Type Variable delivery piston pump
 Rated pressure 21.6MPa (220kgf/cm²)

Frequency (Hz)	50	60		
Voltage (V)	200	200	220	230
Rated revolution (rpm)	1450	1745	1755	1760
Rated delivery (litters/min)	Approx.16	Approx.19		

Motor

Rated output 3.7kW (3-phase 4 poles)

Rated frequency (Hz)	50	60		
Rated voltage (V)	200	200	220	230

Allowable range: 50/60Hz±5%
 AC200/200-230V±10%

Control box

Rated frequency (Hz)	50	60		
Rated voltage (V)	200	200	220	230

Allowable range: 50/60Hz±5%
 AC200/200-230V±10%

Starting-up Direct start-up
 Crane power supply DC12V (150W) output
 With AC/DC converter built-in

Power cable

Power connector Cord connector body made by American Electric Work (accessory)
 Type: 4224R
 Part number: 750501218

Power cable Vinyl cab-tire cable of 4-core cable
 (To be prepared by customer)
 Type: VCT4X5.5mm² (Outside diameter of cable is up to ϕ 16.)
 Part number: 750604057
 (Cable length is to be specified by customer. It is up to 50m.)

Crimp terminal Type: R5.5-5(To be prepared by customer)
 Part number: 750509039 (Nitifu TGV5.5-4S)

Specified speed when using electric power unit

		<50Hz>	<60Hz>
Hoisting Speed	Single line speed:	22m/min.	27m/min. (at 4th layer)
	Hook speed:	5.5m/min.	6.7m/min. (at 4th layer with 4-part line)
Boom extending Speed:		5.95m / 33sec.	5.95m / 28sec.
Boom Raising Speed:		0° - 78° / 18sec.	0° - 78° / 15sec.
Slewing Speed:		1.5rpm	1.5rpm
Crawling Speed (forward / backward):		0-1.2km/h	0-1.4km/h

Caution

Do not use engine and electric power unit together.
 Be sure to confirm before starting the electric power unit that the engine has been stopped.

MAJOR SPECIFICATION OF ELECTRIC POWER UNIT: (AC 400V)

Power unit

Hydraulic pump Type Variable delivery piston pump
 Rated pressure 21.6MPa (220kgf/cm²)

Frequency (Hz)	50			60
Voltage (V)	380	400	415	400
Rated revolution (rpm)	1445	1450	1455	1745
Rated delivery (litters/min)	Approx.16			Approx. 19

Motor Rated output 3.7kW (3-phase 4 poles)

Rated Frequency (Hz)	50			60
Rated Voltage (V)	380	400	415	400

Allowable range: 50/60Hz±5%

AC380/400/415V±10%

Control box

Rated Frequency (Hz)	50			60
Rated Voltage (V)	380	400	415	400

Allowable range: 50/60Hz±5%

AC380/400/415V±10%

Starting-up Direct start-up

Crane power supply DC12V (120W) output
 With AC/DC converter built-in

Power cable

Power connector Cord connector body made by American Electric Work (accessory)
 Type: 4364R

Part number: 750501228

Power cable

Vinyl cab-tire cable of 4-core cable
 (To be prepared by customer)

Type: VCT4X5.5mm² (Outside diameter of cable is up to ϕ 16.)

Part number: 750604057

(Cable length is to be specified by customer. It is up to 50m.)

Crimp terminal

Type: R5.5-5(To be prepared by customer)

Part number: 750509058(Nitifufu TGV5.5-5)

Specified speed when using electric power unit

		<50Hz>	<60Hz>
Hoisting Speed	Single line speed:	22m/min	27m/min (at 4th layer)
	Hook speed:	5.5m/min	6.7m/min (at 4th layer with 4-part line)
Boom extending Speed:		5.95m / 33sec	5.95m / 28sec
Boom Raising Speed:		0° - 78° / 18sec	0° - 78° / 15sec
Slewing Speed:		1.5 rpm	1.5 rpm
Crawling Speed (forward / backward):		0-1.1km/h	0-1.3km/h

Caution

Do not use engine and electric power unit together.

Be sure to confirm before starting the electric power unit that the engine has been stopped.

Please specify when ordering specification of 380V/50Hz or 415V/50Hz, if you want to request them.

SAFETY DEVICES:

1. Pressure relief valve for hydraulic circuit
2. Counterbalance valves for boom raising and boom telescoping cylinders
3. Double pilot-operated check valves for outrigger cylinders
4. Boom angle indicator with load indicator
5. Hook safety latch
6. Automatic mechanical brake for winch
7. Automatic stop for overwinding
8. Overwinding alarm
9. Emergency stop button
10. Inter-lock device of crane and crawling levers
11. Inter-lock device of crane and outriggers
12. Turn over prevention device
13. Level
14. Slewing restriction limit switch
15. Automatic stop for leaving minimum wire rope (option)
16. Three colored lamp (option)
17. Digital load meter (option)
18. Working light (option)

VOICE MESSAGE:

- [Remote control active]
- [Stop winch up]
- [Secure lifting hook]
- [Low transmitter battery]
- [Reset main switch]
- [Change control mode]
- [Crane mode]
- [Outrigger mode, Outriggers moving]
- [Check error code]
- [Control system error]

DIMENSIONS OF CRANE:

2900mm(L) × 600mm(W) × 1450mm(H)

MASS OF CRANE:

2,040kg

REMOTE CONTROLLER:

Model:	RC-500HA-AUS		
System:	Manual/remote control combined system		
Control:	1. Selective control	Boom	Raise / Lower Outrigger④ Ret / Ext
		Hook	Hoist / Lower (Shock-less ON / OFF) Outrigger③ Ret / Ext
		Boom	Extend / Retract Outrigger② Ret / Ext
		Slewing	C.W / C.C.W (Eng. start / stop) Outrigger① Ret / Ext
	2. Store hook	Hook storage	
	3. Start/Warning horn	Start radio remote control and recovered emergency stop/ Horn	
	4. Speed control lever	Hydraulic control and engine speed control	
	5. Speed mode select	High speed mode (normal mode)/ Medium speed mode/Low speed mode	
	6. Key switch	Transmitter power on-off	
	7. Emergency-stop switch	Stop function of crane	
Power supply:	Controller	Crawler battery (DC12V)	
	Transmitter	Four R03 dry cells (DC6V)	
Power consumption:	Approx. 50 W (Single selective operation at maximum operating speed)		
Transmitter:	Battery life more than 20 hours (of transmitter operation)		
Transmitter weight:	700g (with batteries)		
Ambient temperature:	-20 °C ~ +60 °C		
Storage temperature:	-30 °C ~ +75 °C		

RADIO:

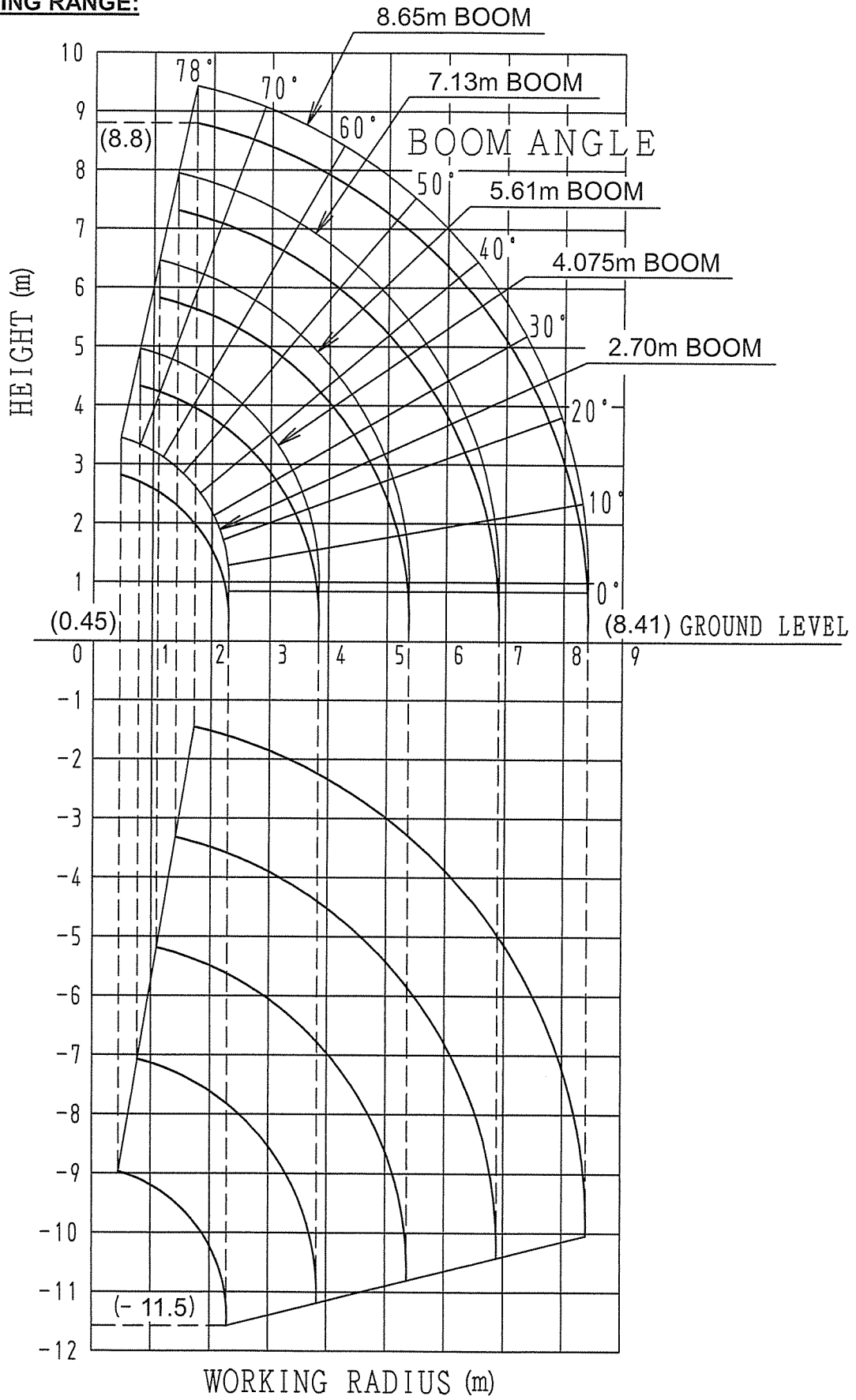
Model / Radio frequency:	RC-500HA-AUS / 434 MHz Band
	RC-500HA-KOR / 447 MHz Band
	RC-500HA-USA / 458 MHz Band
	RC-500HA-TWN / 480 MHz Band
	RC-500HA-CHN / 419 MHz Band
Transmitted output power:	10mV
Operating range:	Approx. 100m
Unit address:	Special address combining a frequency and ID code is assigned to each unit.

TURNOVER PREVENTION DEVICE:

Power supply:	Crawler battery (DC12V) (Turn on automatically by changing to the crane mode.)
Ambient temperature:	-20°C~+60°C
Protection	Waterproof (JIS D 0203 S2) and dustproof
Amplifier	
Circuit:	Digital control type (Adder type)
Function:	Turnover pre-alarm; Buzzer intermittent rumbling Yellow lamp lighting (Option) Turnover alarm; Buzzer continuous rumbling Red lamp lighting (Option) Automatic stop (Hoisting, Extend, Boom lower, Slewing)
Alarm buzzer:	2.4 kHz 90dB
Alarm lamp:	3 colors (green, yellow, red) (Option)
Ground pressure detection:	Detection method; Detection of ground pressure applied to outrigger Detector; Load detector by strain gauge

CAUTION: In accordance with our policy of constant product improvement,
all specifications are subject to change without notice or obligations.

WORKING RANGE:



Note: The above figures are based on no-load condition and do not include the deflection of the boom.

NET RATED LOADS:

Boom-sections extended: ①, ①+②

Working radius (m)		1.0	1.4	1.5	1.8	2.0	2.5	3.0	3.5	3.835
Net rated load (t)	Outriggers extended to maximum	2.9	2.9	2.65	2.25	2.05	1.65	1.3	1.0	0.9
	Outriggers extended not to maximum	2.0	2.0	2.0	1.45	1.1	0.65	0.49	0.35	0.25

Boom-sections extended: ①+②+③

Working radius (m)		2.2	2.5	2.9	3.0	3.5	4.0	4.5	5.0	5.37
Net rated load (t)	Outriggers extended to maximum	1.35	1.35	1.35	1.25	1.0	0.8	0.65	0.52	0.43
	Outriggers extended not to maximum	0.8	0.65	0.53	0.5	0.38	0.28	0.22	0.16	0.12

Boom-sections extended: ①+②+③+④

Working radius (m)		3.4	3.8	4.0	4.5	5.0	5.5	6.0	6.5	6.89
Net rated load (t)	Outriggers extended to maximum	0.85	0.85	0.75	0.6	0.5	0.42	0.36	0.32	0.27
	Outriggers extended not to maximum	0.42	0.34	0.3	0.25	0.19	0.14	0.1	0.08	0.06

Boom-sections extended: ①+②+③+④+⑤

Working radius (m)		3.8	4.1	4.5	5.0	5.5	6.0	6.5	7.0	8.0	8.41
Net rated load (t)	Outriggers extended to maximum	0.55	0.55	0.45	0.37	0.31	0.27	0.23	0.2	0.15	0.13
	Outriggers extended not to maximum	0.35	0.29	0.25	0.2	0.16	0.13	0.1	0.07	0.04	0.03

CAUTION

1. Net rated loads are performance when the crane is placed level and is based on an actual working radius including boom deflection under load.
Net rated loads are also based on the strength of the crane and the stability of the crawler.
2. Net rated loads must be reduced in accordance with wind, ground condition and operating speed.
3. Net rated loads are the lifting capacities excepted for the mass of the hook.
4. When the outriggers are set without extending to their maximum, stability of the crane deteriorates remarkably.
Pay attention that the net rated loads are changed according to how far the outriggers are extended.
5. If any one of the four outriggers is not fully extended, operate with performance of not maximum extension.
6. In order to make correct operation, read the instruction manual carefully before crane operation.

FLY JIB: (OPTION)

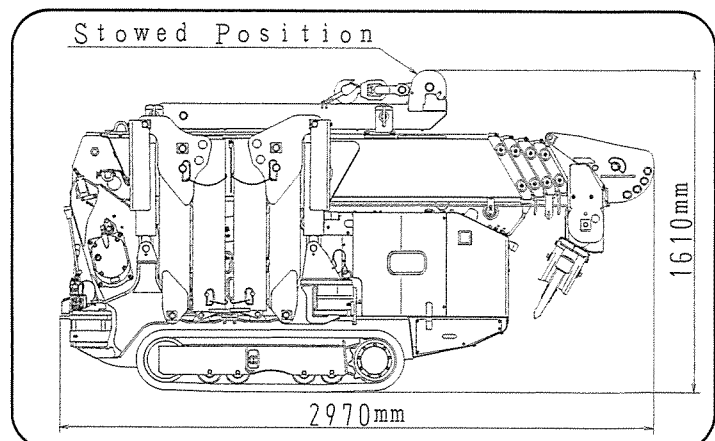
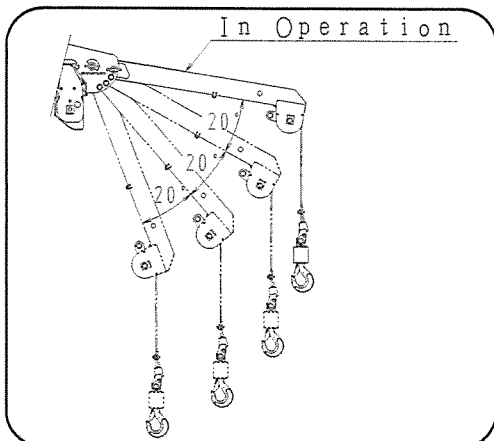
LIFTING CAPACITY: 710kg
 JIB LENGTH: 1.5m
 TILT ANGLE: 0° ,20° ,40° ,60°
 MASS OF FLY JIB: 70kg

NET RATED LOADS: (FOR FLY JIB)

BOOM ANGLE	TILT ANGLE									
	1st TO 4th BOOM SECTIONS				ONLY 5th BOOM SECTION					
	0°	20°	40°	60°	0°	20°	40°	60°		
78°	700	700	700	700	400	400	400	400		
75°	700	700	700	700	400	400	400	400		
70°	700	700	700	700	400	400	400	400		
65°	500	500	500	500	250	250	250	250		
60°	350	350	350	350	200	200	200	200		
55°	250	250	PROHIBITED AREA OF CRANE OPERATIONS		150	150	PROHIBITED AREA OF CRANE OPERATIONS			
50°	200	200			100	100				
40°	PROHIBITED AREA OF CRANE OPERATIONS				PROHIBITED AREA OF CRANE OPERATIONS				PROHIBITED AREA OF CRANE OPERATIONS	
30°										
20°										
10°										
0°										

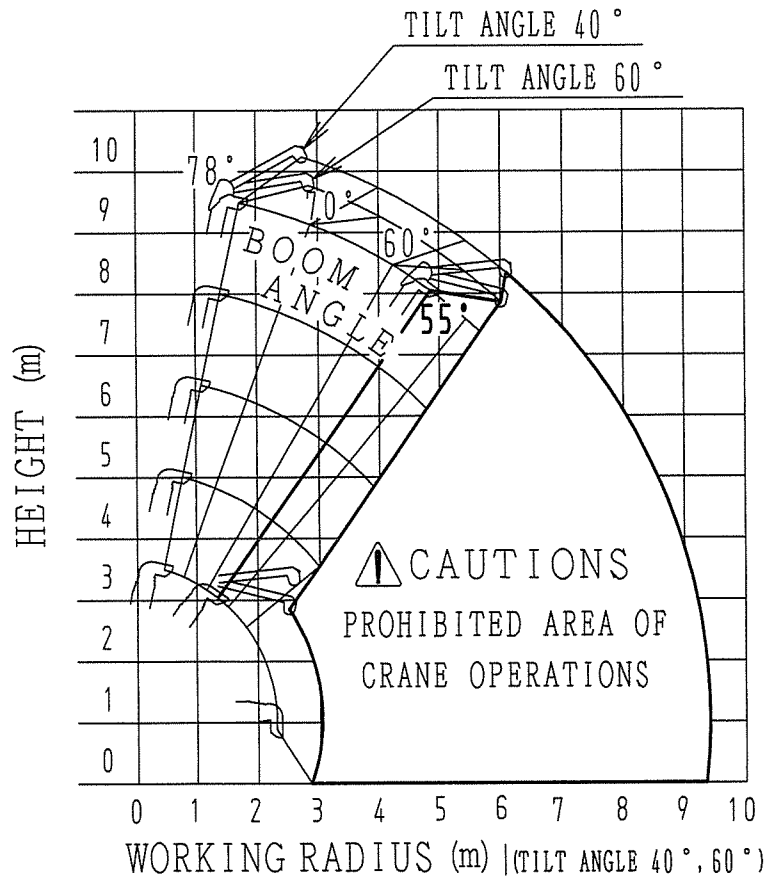
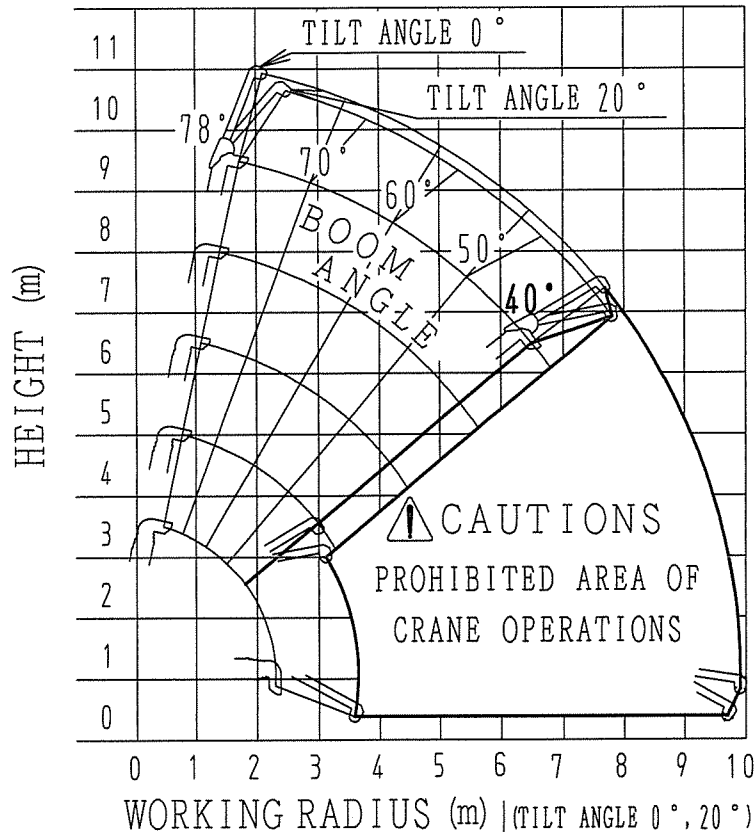
CAUTION

1. Net rated loads are performance when outriggers extended to maximum.
2. Net rated loads are performance when the crane is placed level and is based on an actual working radius including boom deflection under loaded.
 Net rated loads are also based on strength and stability of the crane.
3. Net rated loads must be reduced in accordance with wind, ground condition and operating speed.
4. Net rated loads are the lifting capacities except for the mass of hook.
5. The mass of the slings and any accessories attached to the boom or load line must be deducted from the above net rated loads in the chart.
6. In order to make correct operation, read the instruction manual carefully before crane operation.



CC-1163

WORKING RANGE: (FOR FLY JIB)



CC-1163

Note: The above figures are based on no-load condition and do not include the deflection of the boom.

FLY JIB-SEARCHER HOOK: (OPTION)

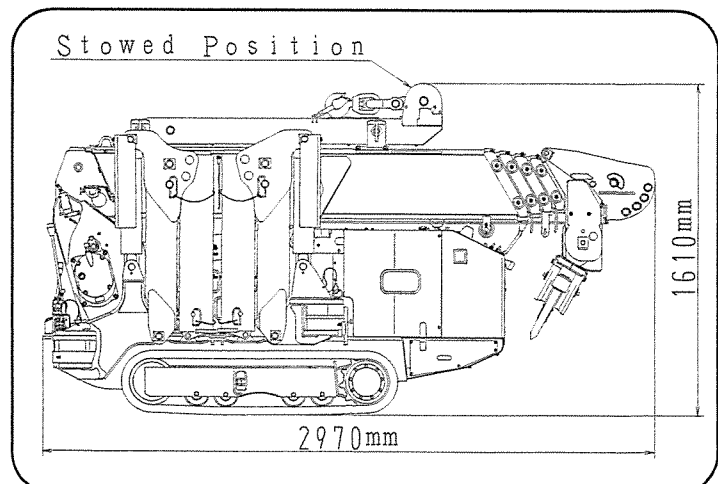
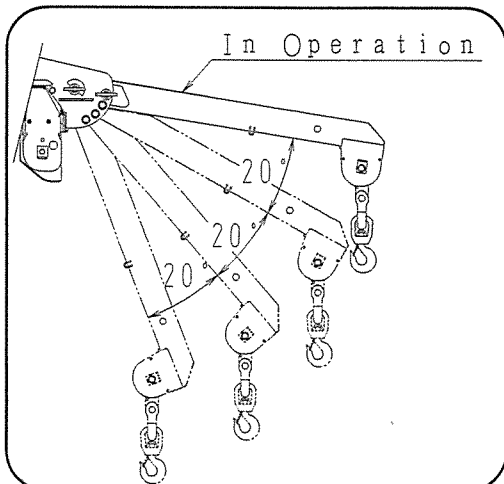
LIFTING CAPACITY: 700kg
 SEARCHER HOOK LENGTH: 1.5m
 TILT ANGLE: 0° ,20° ,40° ,60°
 MASS OF SEARCHER HOOK 8kg (Bracket and jib are excepted)

NET RATED LOADS: (FOR FLY JIB-SEARCHER HOOK)

1st TO 4th BOOM SECTIONS			ONLY 5th BOOM SECTION		
	NET RATED LOAD (kg)			NET RATED LOAD (kg)	
WORKING RADIUS (m)	OUTRIGGERS MAX EXT	OUTRIGGERS NOT MAX EXT	WORKING RADIUS (m)	OUTRIGGERS MAX EXT	OUTRIGGERS NOT MAX EXT
3.8	700	250	3.8	500	250
4.0	700	200	4.0	450	200
4.5	500	150	4.5	400	150
5.0	400	110	5.0	320	110
5.5	330	80	5.5	300	80
6.0	260	50	6.0	260	50
6.5	220	40	6.5	220	40
7.0	180	PROHIBITED AREA OF CRANE OPERATIONS	7.0	180	PROHIBITED AREA OF CRANE OPERATIONS
8.0	130		8.0	130	
8.39	100		9.0	100	
			9.91	50	

CAUTION

1. Net rated loads are performance when the crane is placed level and is based on an actual working radius including boom deflection under loaded.
Net rated loads are also based on strength and stability of the crane.
2. Net rated loads must be reduced in accordance with wind, ground condition and operating speed.
3. The mass of the slings and any accessories attached to the boom or load line must be deducted from the above net rated loads in the chart.
4. In order to make correct operation, read the instruction manual carefully before crane operation.
5. Do not use the main hook when using the searcher hook.



CC-1163

SEARCHER HOOK: (OPTION)

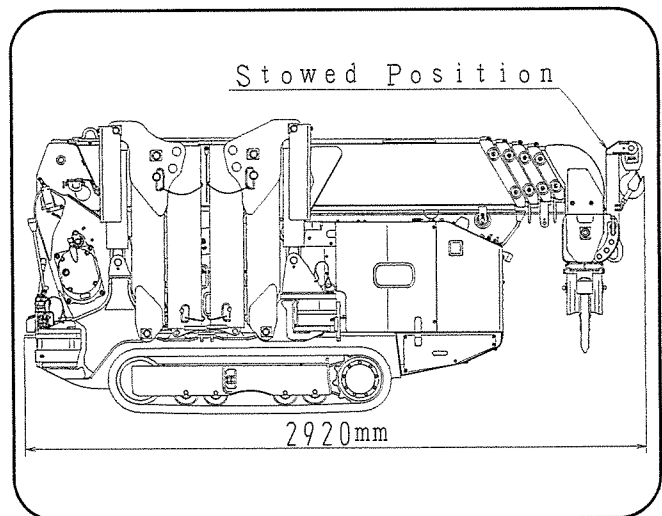
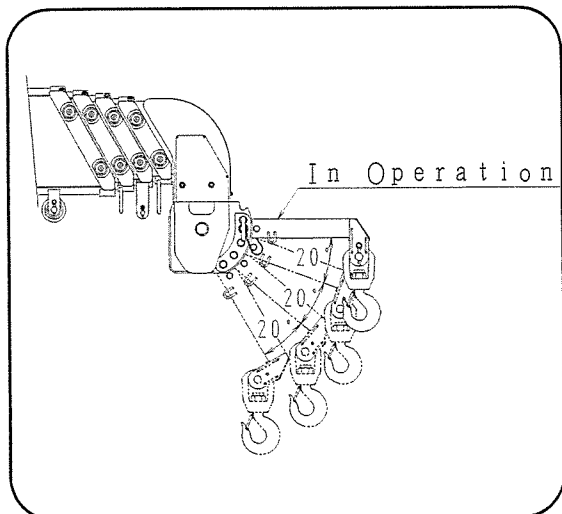
LIFTING CAPACITY: 300kg
 SEARCHER HOOK LENGTH: 0.5m
 TILT ANGLE: 0° ,20° ,40° ,60°
 MASS OF SEARCHER HOOK: 15kg

NET RATED LOADS: (FOR SEARCHER HOOK)

WORKING RADIUS (m)	NET RATED LOAD (kg)	
	OUTRIGGERS MAX EXT	OUTRIGGERS NOT MAX EXT
3.5	300	300
4.0	300	220
4.5	300	170
5.0	300	120
5.5	300	90
6.0	260	60
6.5	220	50
7.0	180	PROHIBITED AREA OF CRANE OPERATIONS
8.0	130	
8.91	100	

CAUTION

1. Net rated loads are performance when the crane is placed level and is based on an actual working radius including boom deflection under loaded.
 Net rated loads are also based on strength and stability of the crane.
2. Net rated loads must be reduced in accordance with wind, ground condition and operating speed.
3. The mass of the slings and any accessories attached to the boom or load line must be deducted from the above net rated loads in the chart.
4. In order to make correct operation, read the instruction manual carefully before crane operation.
5. Do not use the main hook when using the searcher hook.



CC - 1163

CC-1163

