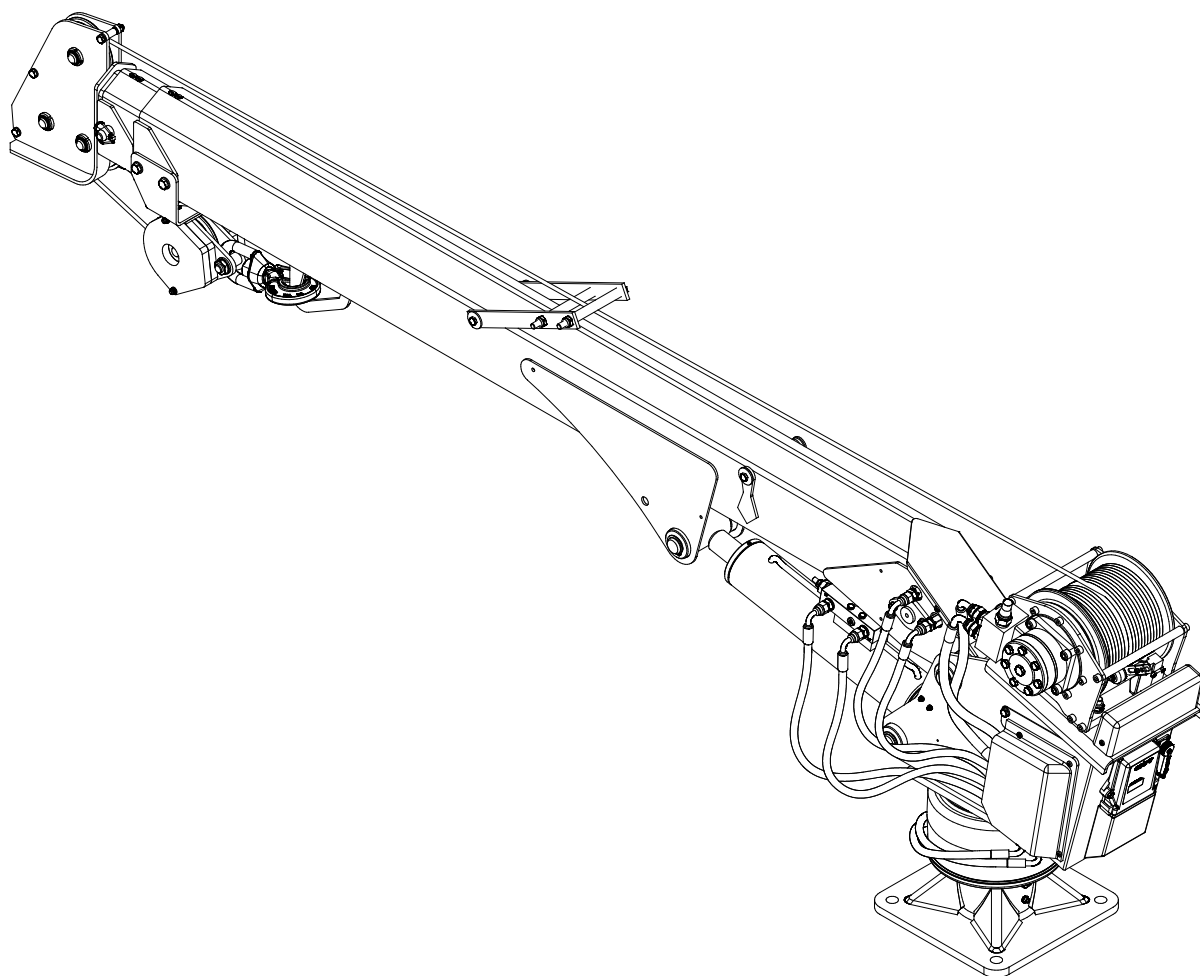


maxilift 3800 cobra

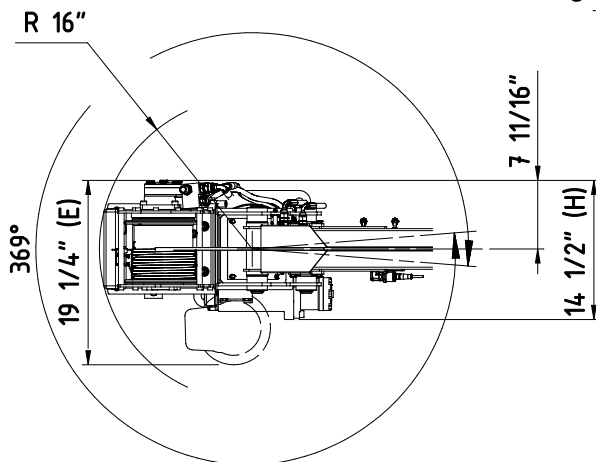
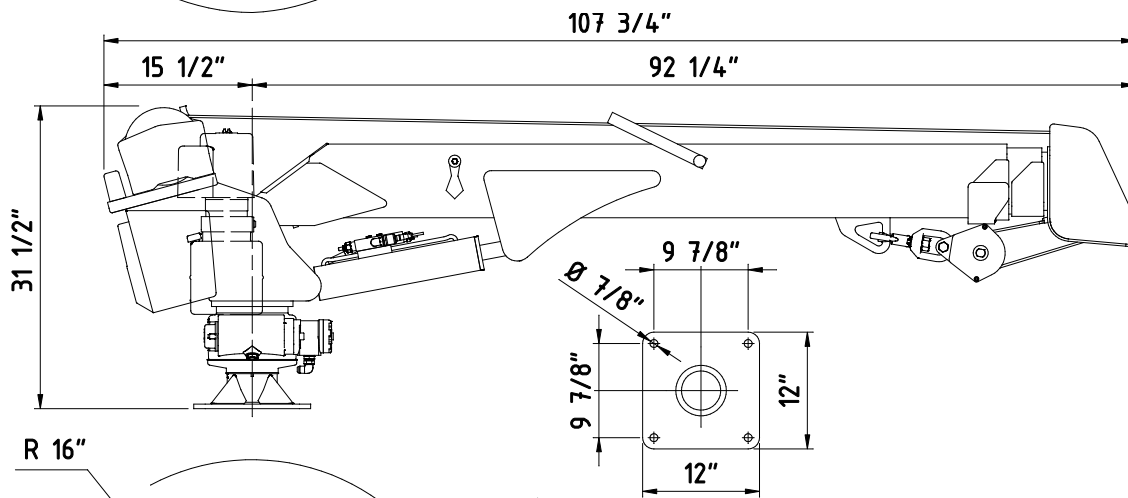
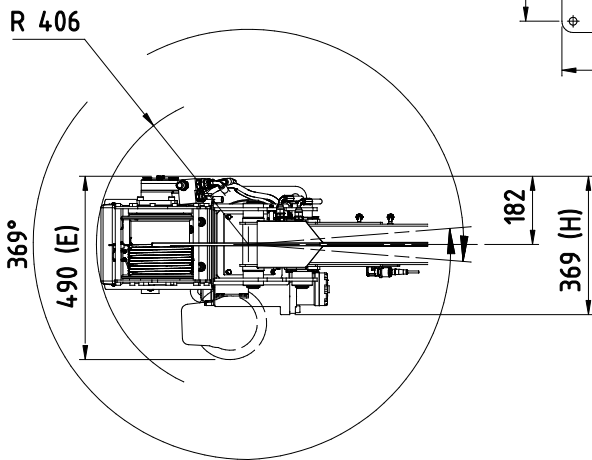
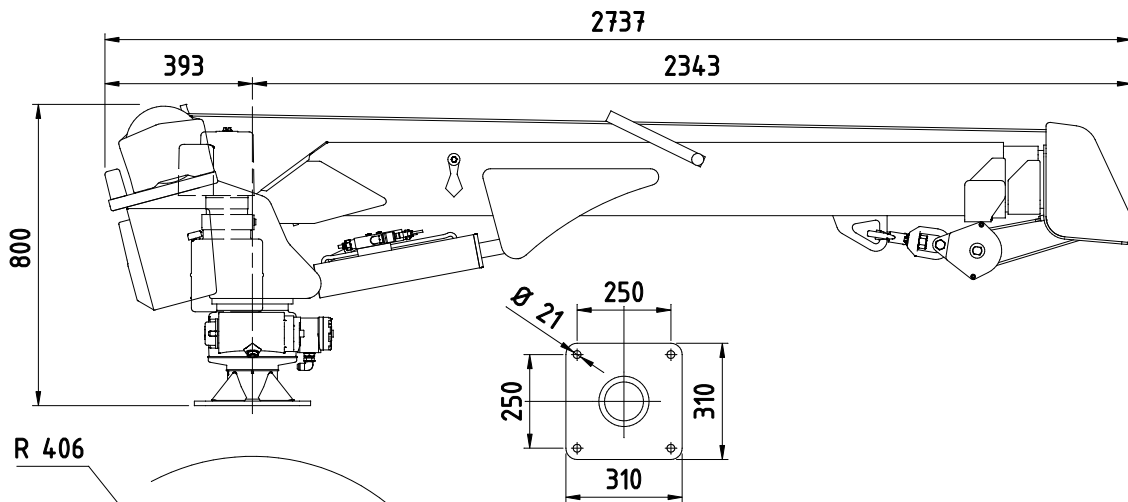


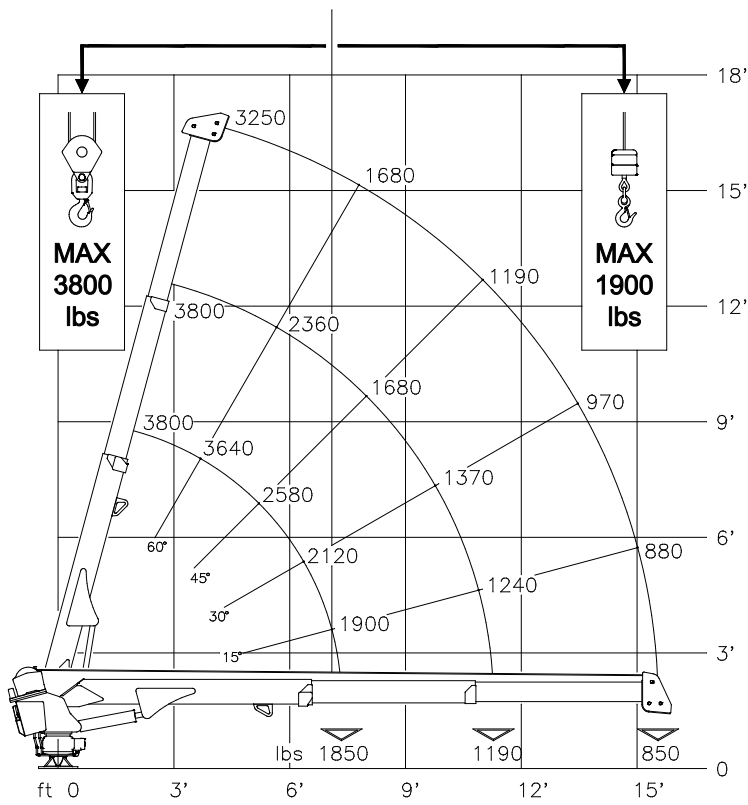
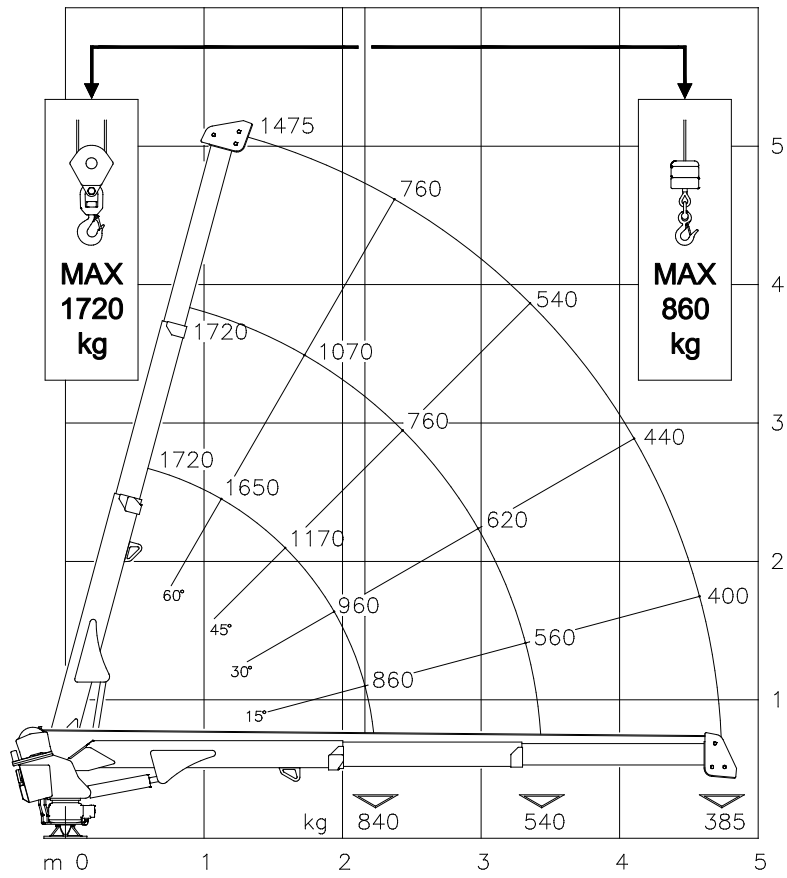
TECHNICAL SHEET

MP.0.215
Rev. 0



Next Hydraulics®
RAISE YOUR EXPECTATIONS





| TECHNICAL DATA | | Cobra 3800 (15'6" ft) | |
|---|---------------|-----------------------|--------------|
| VERSION | | 3800.1 | 3800.2 |
| CRANE RATING | kNm ft.lbs | 18,3 13500 | |
| EXTENSIONS TYPE | | 1 HYDR. + 1 MANUAL | 2 HYDRAULIC |
| HYDRAULIC EXTENSION | m ft | 1,2 4' | 2,5 8' 2" |
| MANUAL EXTENSION | m ft | 1,3 4' 3" | - |
| HORIZONTAL REACH (from center line of rotation) | m ft | 4,72 15' 6" | |
| LIFTING HEIGHT FROM BASE OF CRANE | m ft | 5,18 17' | |
| SLEWING ANGLE | ° | 369° | |
| SLEWING TORQUE | kNm ft.lbs | 1,8 1350 | |
| BOOM ELEVATION ANGLE | ° | -5° / +75° | |
| MAX. WORKING PRESSURE | bar psi | 185 2680 | |
| SUGGESTED OIL FLOW (H version) | l/min gpm | 7 ÷ 10 1,85 ÷ 2,65 | |
| OIL FLOW (E version) | l/min gpm | 5 ÷ 9 1,3 ÷ 2,4 | |
| CRANE WEIGHT (H version) | kg lbs | 275 605 | 290 640 |
| CRANE WEIGHT (E version) | kg lbs | 295 650 | 310 680 |

| WINCH SPECIFICATIONS | | | |
|---|-----------------|---------------------------|--|
| WINCH SINGLE LINE CAPACITY (1 ST layer) | kg lbs | 860 1900 | |
| WINCH SINGLE LINE CAPACITY (2 ND layer) | kg lbs | 790 1740 | |
| WINCH PULL LINE SPEED (2 ND layer – H version) | m/min ft/min | 8 ÷ 11,3 26,3 ÷ 37,1 | |
| WINCH PULL LINE SPEED (2 ND layer – E version) | m/min ft/min | 6,2 ÷ 10,1 20,4 ÷ 33,2 | |
| WIRE ROPE DIAMETER | mm in | 7 9/32" | |
| WIRE ROPE LENGTH | m ft | 25 82' | |